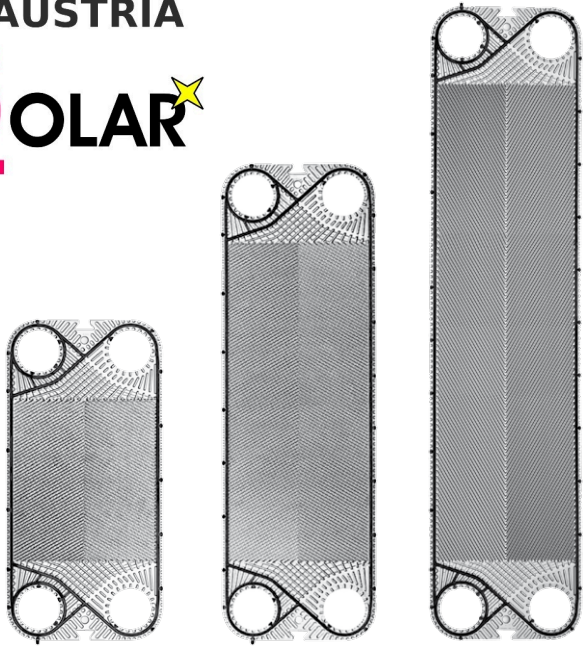


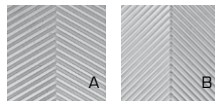
Wärmetauscher AUSTRIA

POWER SOLAR



Product Range	P300+			P450+			P700+	
Exchange area [m ²]	0,268			0,482			0,697	
Width [mm]	425			425			425	
Height [mm]	877			1322			1767	
Connections diameter	DN100 4"			DN100 4"			DN100 4"	
Channel capacity [l]	0,766			1,217			1,669	
Tightening quote [mm]	3,1			3,1			3,1	
Plate weight (with gasket) [Kg]	1,42			2,21			3,02	
Corrugation angle	A/B			A/B			A/B	
Max. water flowrate [m ³ /h]	240			240			240	
PS=> Max working pressure [bar]	10	16	25	10	16	25	10	16
PT=> Max test pressure, EXEMPT* [bar]	15	21	30	15	21	30	15	21
PT=> Max test pressure, PED [bar]	16	26	40	16	26	40	16	26

Ex art. 3.3 D.Lgs. 93 of 25/02/2000 in accordance with Directive 97/23.
Announced pressions are referred to AISI 316L plates.



Plates are available in two thermal lengths (A/B)

DN32

DN50

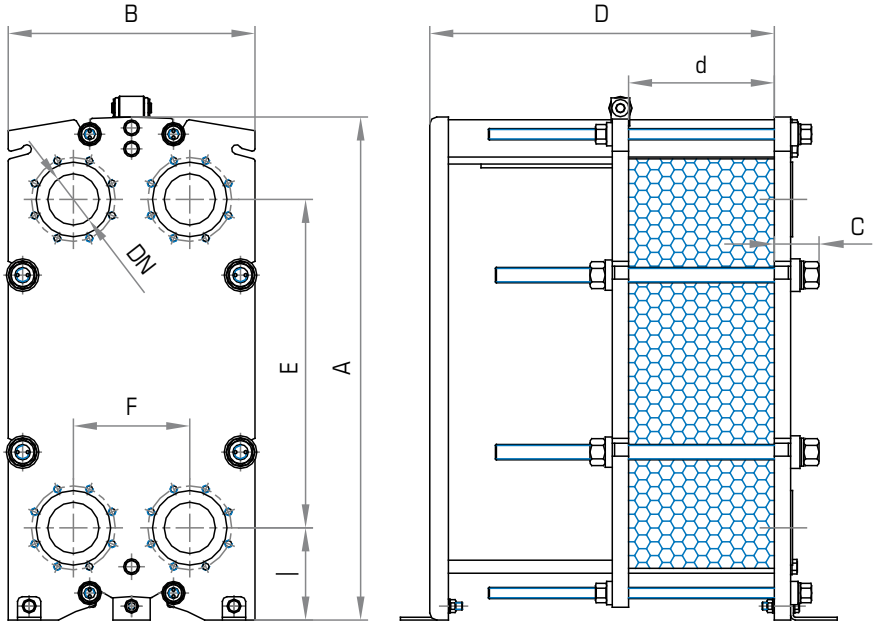
DN65

DN100

DN150

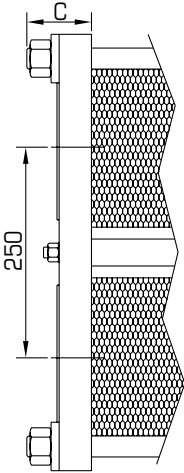
DN200

Wärmetauscher AUSTRIA



	S300+				S450+				S700+			
A	1080				1525				1970			
B	530				530				530			
E	705				1150				1595			
F	250				250				250			
I	198				198				198			
Np max	101	201	301	401	101	201	301	401	101	201	301	401
D max	740	1240	1740	2240	750	1250	1750	2250	750	1250	1750	2250
d (A-A)	3,1 x Np				3,1 x Np				3,1 x Np			
DN	DN100 4"				DN100 4"				DN100 4"			
A-A B-B C-C E-E U-U V-V	PS 10	PS 16	PS 25	PS 25	PS 10	PS 16	PS 25	PS 25	PS 10	PS 16	PS 25	PS 25
C	96	101	111	111	96	101	111	111	96	101	-	-

All dimensions are in mm - Np = number of plates



A-A

Studded ports
Rubber lining
EN 1092-1

B-B

Studded ports
AISI 316 lining
EN 1092-1

C-C

Studded ports
Rubber lining
ANSI 150 lbs
metric thread

E-E

Studded ports
AISI 316 lining
ANSI 150 lbs
metric thread

U-U

Studded ports
Ulined EN 1092-1

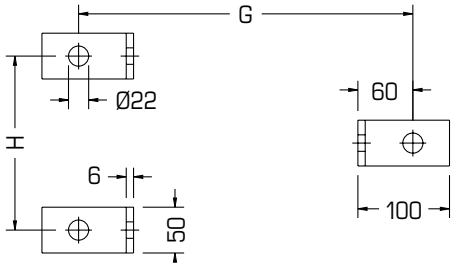
V-V

Studded ports
Ulined ANSI 150
lbs metric thread

Wärmetauscher AUSTRIA

POWER **S**SOLAR

Support Feet



GxH	PS10	PS16	PS25
S300+			
Max 101p	858x440	863x440	873x440
Max 201p	1358x440	1363x440	1373x440
Max 301p	1858x440	1863x440	1873x440
Max 401p	2358x440	2363x440	2373x440

GxH	PS10	PS16	PS25
S450+ / S700+			
Max 101p	861x440	866x440	876x440
Max 201p	1361x440	1366x440	1376x440
Max 301p	1861x440	1866x440	1876x440
Max 401p	2361x440	2366x440	2376x440

Materials

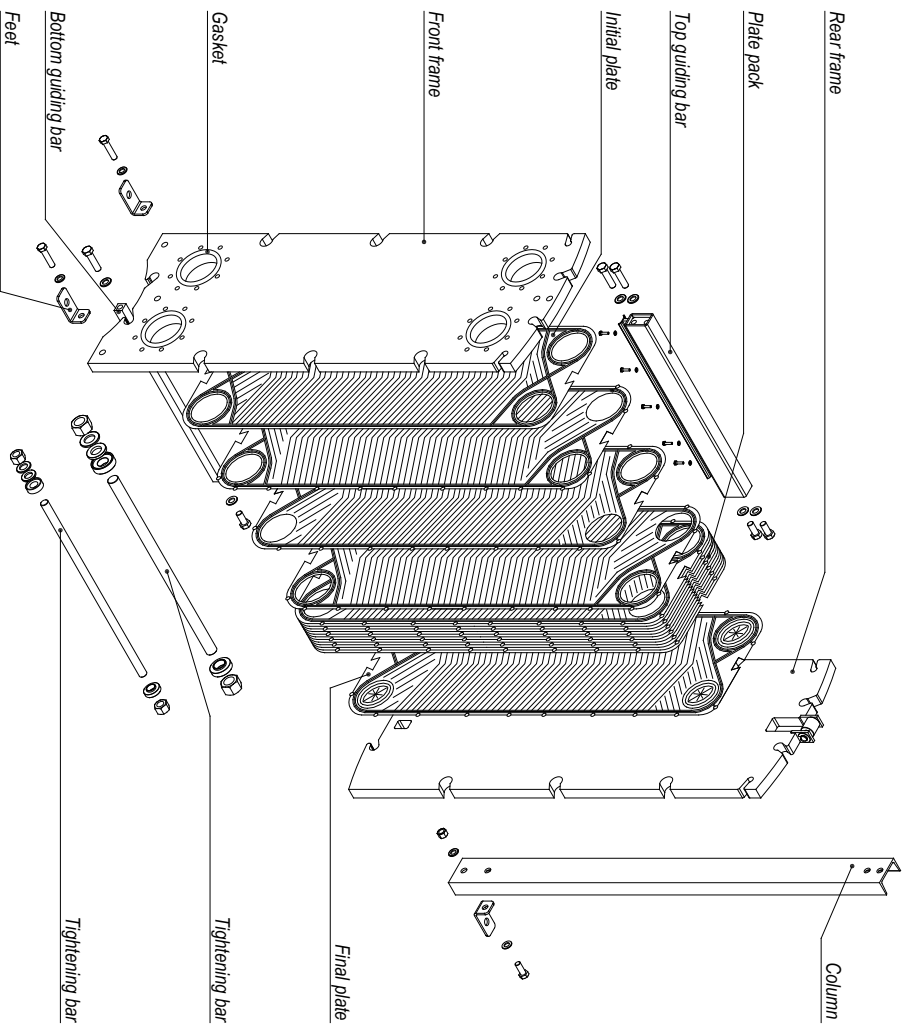
		S300+	S450+	S700+
Plate	AISI 304	●	●	●
	AISI 316L	●	●	●
	254 SMO	●	●	●
	Titanium	●	●	●
Gasket	NBR	●	●	●
	EPDM Prx.	●	●	●
	FPM	●	●	●
	HNBR	●	●	●
Frame	Carbon steel	●	●	●
	AISI 304, cladde	●	●	
Connection type	A-A B-B C-C E-E U-U V-V	●	●	●

Gaskets material maximum temperatures

NBR	-20 °C	110 °C
EPDM Prx.	-20 °C	160 °C
FPM	-20 °C	200 °C
HNBR	-20 °C	160 °C

The temperatures must be considered not applicable in all working conditions.

Component blow-up drawings Models S300+, S450+, S700+



CERTIFICATIONS APPROVALS



- ISO 9001
Quality Management
- PED 97/23/EC
Pressure Equipment Directive
Module B, D1 & D (up to Risk Cat. IV)



- ACS
Attestation de Conformité Sanitaire



- GOST-R
Certificate of Conformity



- OHSAS 18001
Occupational Health and Safety



- ISO 14001
Environmental Management

MADE IN ITALY

Wärmetauscher AUSTRIA
POWER SOLAR

THERMISCHE HOCHSTESTUNG MIT DER KRAFT VON EXPERTEN

www.power-solar.at / office@power-solar.at

Tel.: +43 (0) 7229-81 800